

*INTRODUCING...*

# THE STRONGEST STRUT BRACKET IN THE MARKET!

## 35% Stronger!

**NEW**



## UNISTRUT®

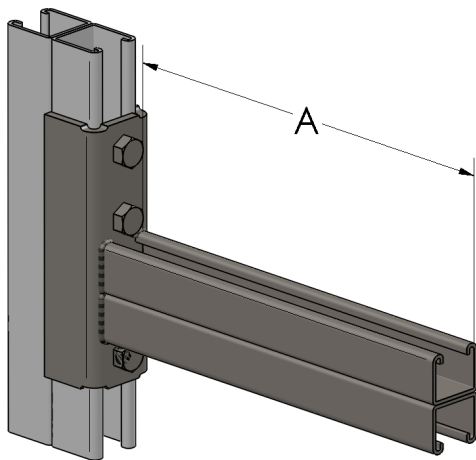
A PART OF **atkore**  
INTERNATIONAL

Unistrut® is proud to introduce the highest capacity cantilevered strut bracket in the market. The Unistrut P2580 is designed to hold heavier loads, increase the span between supports, and allow attachment on top and bottom. This results in significant material and labor cost savings.

For more information, visit [Unistrut.us](http://Unistrut.us) or contact your local sales rep.

### FEATURES AND BENEFITS

- 35% stronger than competitive products!
- Uses a 3-bolt attachment and a U-shaped base plate for added strength
- Double-sided channel allows attachment on top and bottom
- Made in America
- Patent Pending



Part Number	Dim. "A" (in.)	Uniform Design Load* (lbs)
P2580-12	12"	2,700
P2580-18	18"	1,800
P2580-24	24"	1,350
P2580-30	30"	1,080
P2580-36	36"	900

\*Safety Factor = 2.5 when mounted to 12 ga. Unistrut channel

**UNISTRUT®. Build something great.**